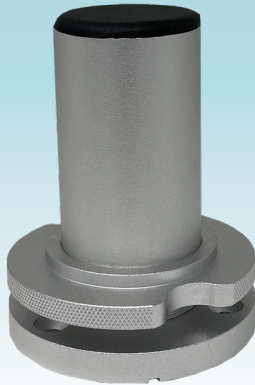




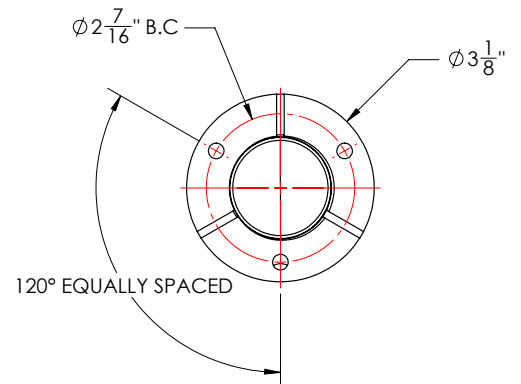
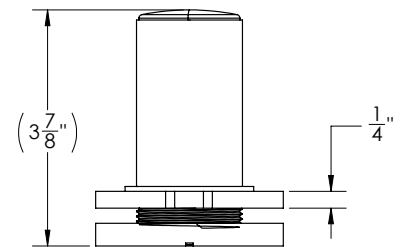
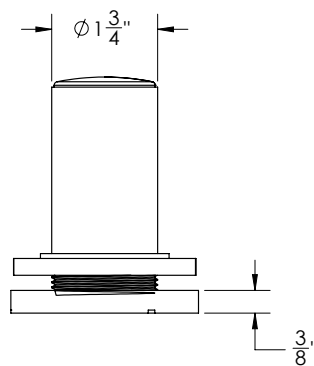
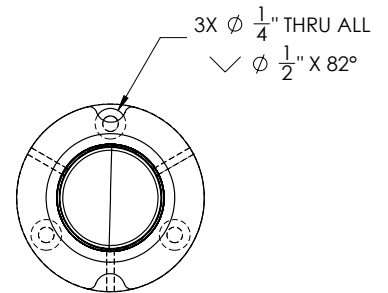
SHADEFIN[®] MINI SEMI-FLUSH MOUNT



The ShadeFin Mini Semi-Flush Mount is ideal for boat decks, console tops or any flat surface. The unique design of the Semi-Flush Mount enables for the post to be removed and stowed when not in use - leaving only a semi-flush ring secured in place. To use the Semi-Flush Mount, simply install the threaded locking ring and the post to the semi-flush ring, tighten securely and mount the ShadeFin Mini.

FEATURES & BENEFITS

- Constructed out of aluminum grade-6061 alloys with stainless steel Type-304 screws
- Includes injection-molded nylon cap
- Includes backing plate and mounting hardware



PART #	DESCRIPTION	FINISH	UOM	UPC
T10-4000-11	ShadeFin [®] Mini Semi-Flush Mount	Powder Coated, Misty Silver	Each	631182091786